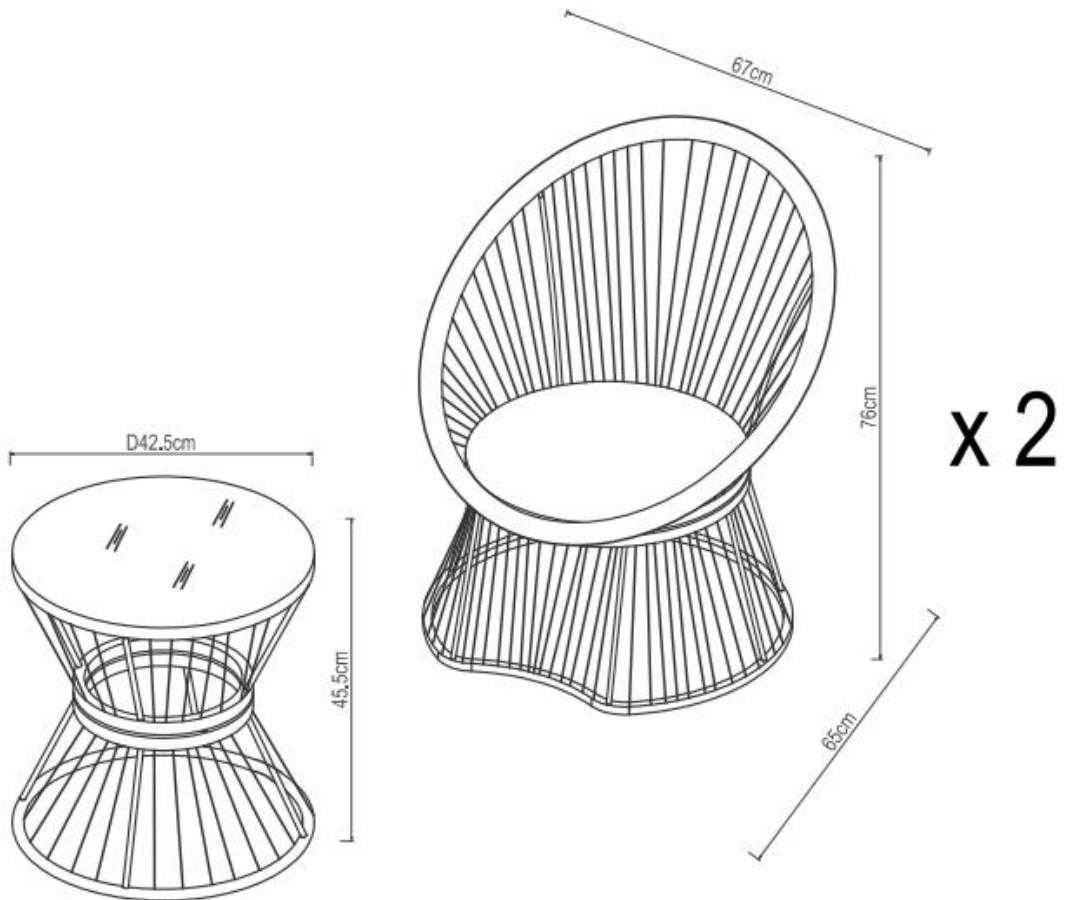


ASSEMBLY INSTRUCTION

ORTIZ

3 Pce Setting

ITEM CODE:71289/72190/71291

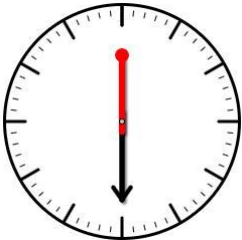



Imported by JWA Furniture Pty Ltd, Qld, Brisbane Australia.
For any assistance with assembly or for missing parts please refer to your receipt

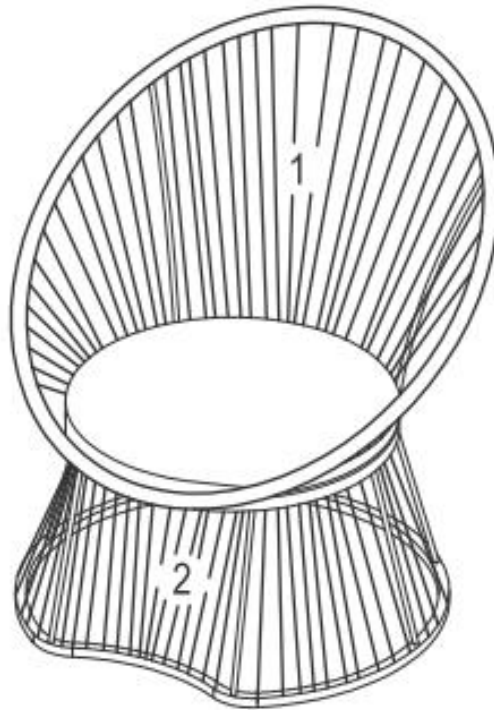
PRE-ASSEMBLY PREPARATION

Before you start:




1. Choose a clean, level, spacious assembly area. Avoid hard surfaces that may damage the product
2. Take care when lifting. Product should be assembled as near as possible to the point of use
3. Ensure that you have all required contents for complete assembly
4. Always read the assembly instructions carefully before beginning assembly.
5. Keep all hardware parts and packaging out of reach of small children.
6. Do not over tighten the screws and bolts as this may damage the threads
7. Assembly is to be carried out by a competent adult(s) ONLY
8. During assembly, children should be kept away from the product due to possible risk to injury.
9. Do not use this item if any components are missing or damaged.
10. Please keep the instructions for future reference.



	
Allow 30 min	For 1 person

PARTS LIST

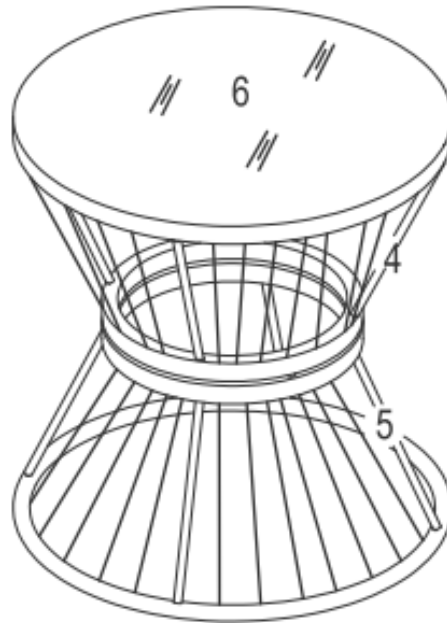





x 2




1. Upper part		2pcs
2. Lower part		2pcs
3. Cushion		2pcs

A. Bolt	B. Allen Key	C. Washer
		
M6*20*8PCS	M6*1PC	M6*8PCS

PARTS LIST








4. Upper part		1pc
5. Lower part		1pc
6. glass		1pc

D. Bolt  M6*30*4PCS	B. Allen Key  M6*1PC	C. Washer  M6*4PCS
---	--	---

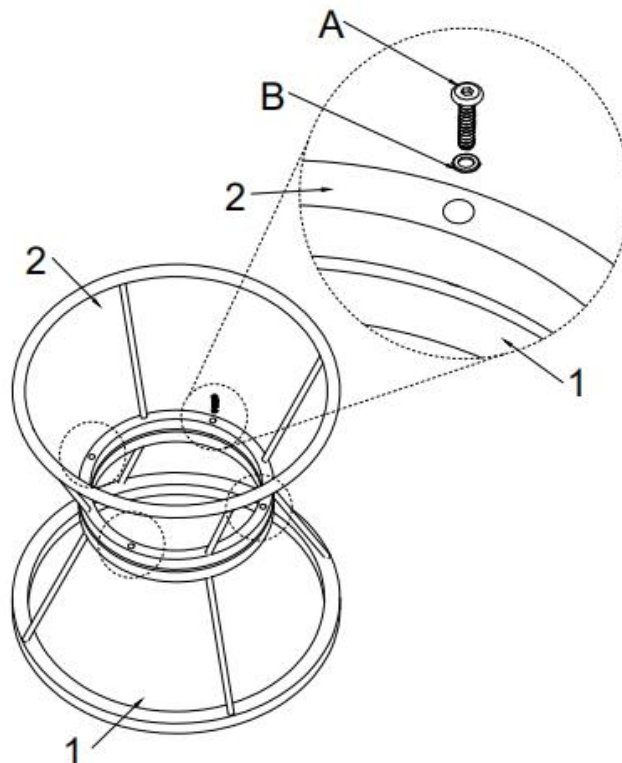
Part 1: Side Table

Step 1

You will need the following

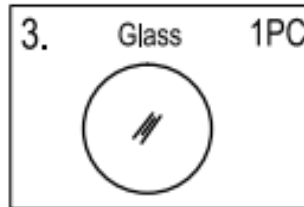
4. Upper part 1PC 	5. Lower part 1PC 	
D. Bolt  M6*30*4PCS	B. Allen Key  M6*1PC	C. Washer  M6*4PCS

- Prepare a floor or benchtop with a protective blanket or cardboard.
- Attach lower part (5) to upper part (4), secure with bolt (D), thread through washer (C). Fasten with Allen Key (B).
- Repeat for all 4 connection points.

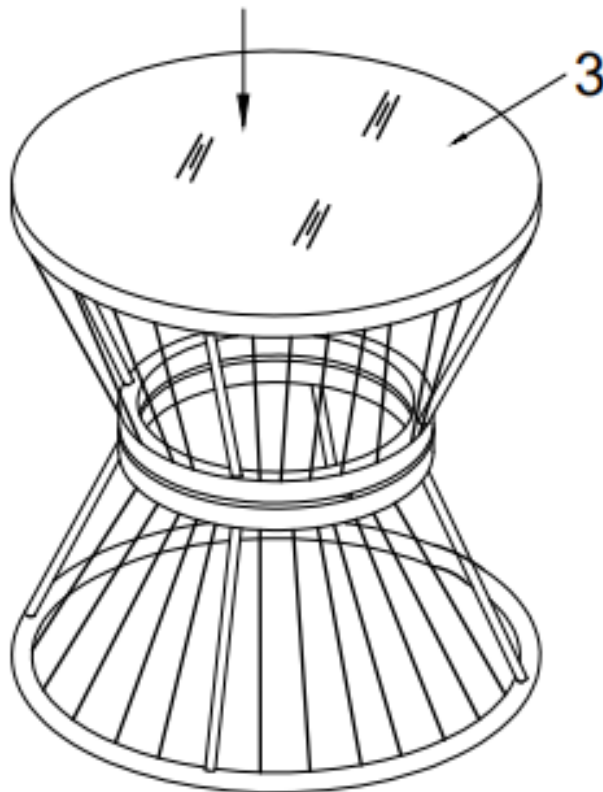


Step 2

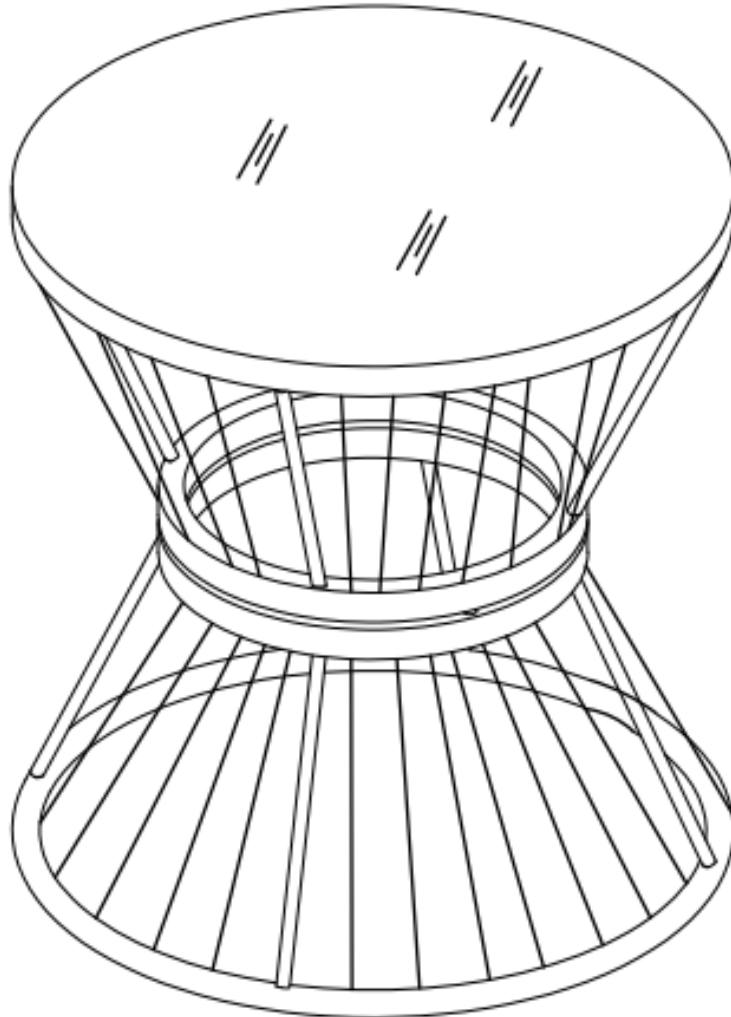
You will need the following



- Turn over the table frame and place glass (3) on top
- Glass is secured on table with suckers.








Assembly is complete

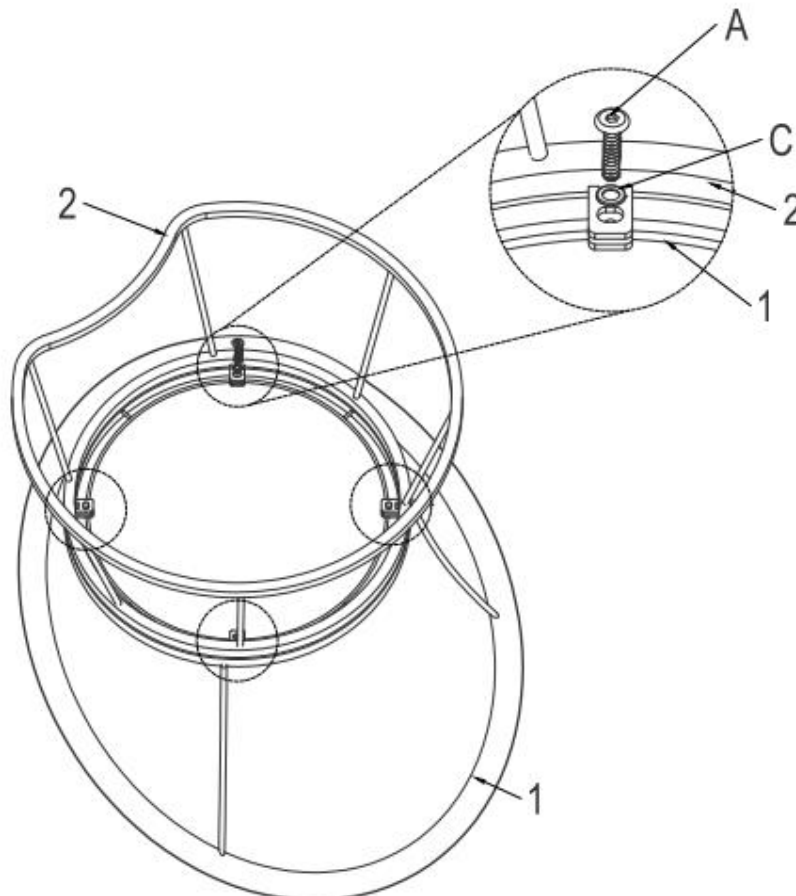


Part 2: Chair

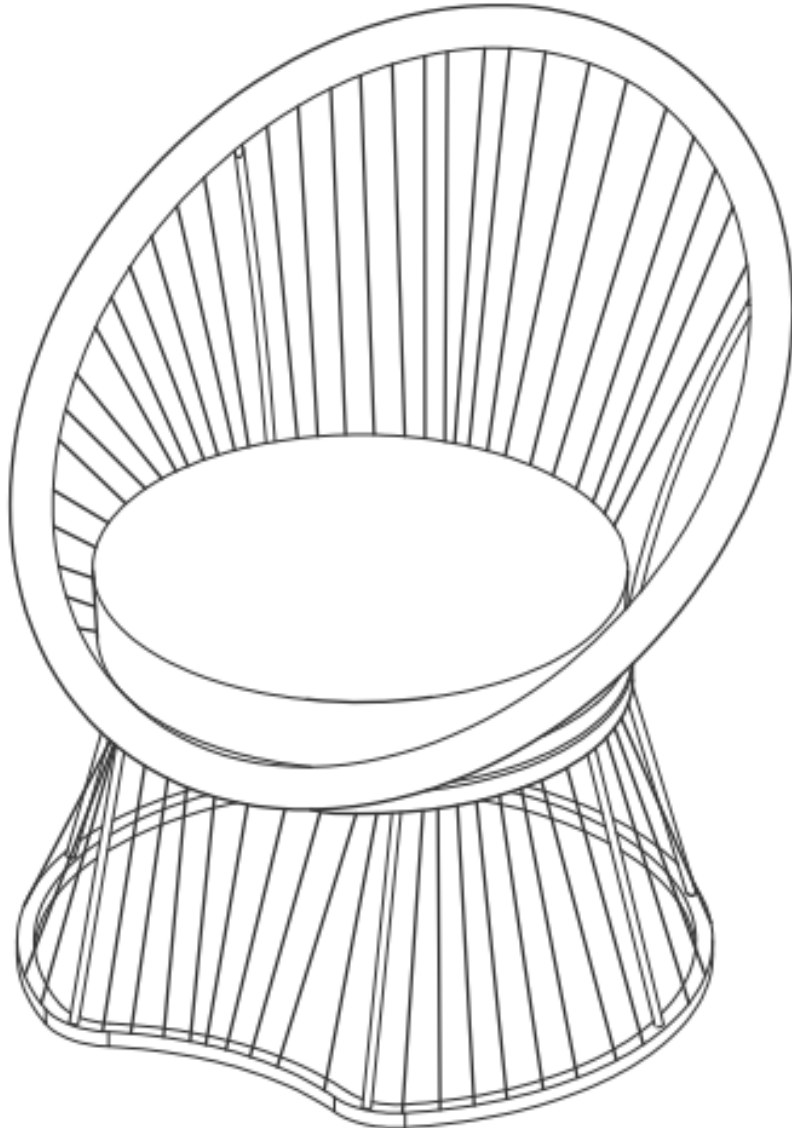
Step 1: You will need the following

1. Upper part 1PC 	2. Lower part 1PC 	
A. Bolt  M6*20*4PCS	B. Allen Key  M6*1PC	C. Washer  M6*4PCS

- Attach lower part (2) to upper part (1), secure with bolt (A), thread through washer (C). Fasten with Allen Key (B).
- Repeat for all 4 connection points.



Assembly is complete



PRODUCT CARE:

Metal

- ☒ Item is designed for use outdoors. However we do not recommend leaving this product outside when not in use. To preserve the life of this item, avoid prolonged exposure to the elements & store inside/under cover or use an outdoor cover.
- ☒ DO NOT allow the furniture to be left in the rain or left wet for extended periods of time.
- ☒ Wipe furniture Dry immediately after it becoming wet.
- ☒ DO NOT clean your furniture down with any harsh solvents, abrasives or chemicals.
- ☒ To remove dirt and grime, simply rinse with fresh water or periodically clean using a sponge and mild detergent solution as required

Wicker

- ☒ Regular vacuuming and dusting of items is recommended.
- ☒ If weave on wicker becomes lacerated/damaged, do not pull on it as this may cause unravelling.
- ☒ Prolonged exposure to the elements may cause colour fading.
- ☒ To extend the life of your product the use of an Amart approved Outdoor Furniture Cover is highly recommended. Please contact store of purchase for further details.